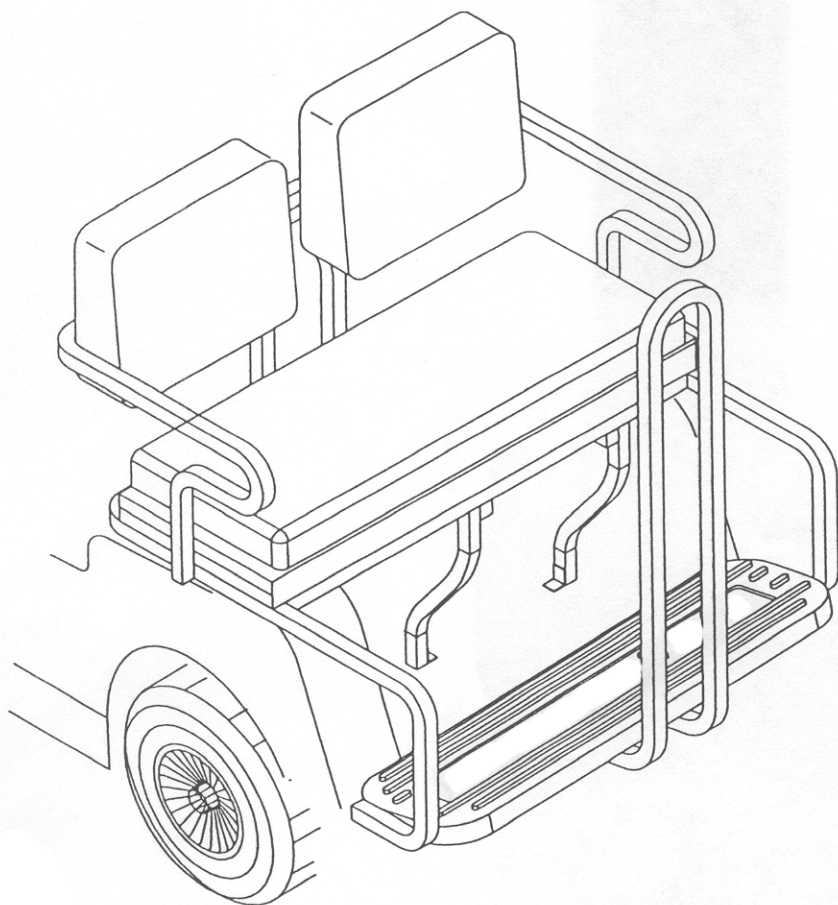


**FF3025, FF3035, FF3055**  
**Yamaha G8/G14/G16/G19 and G22**

REAR SEAT "2-in-1" COMBO



*HARDWARE INCLUDED:*

- (2) 11/16" SPACERS
- (4) 1" SPACERS
- (2) 1/8" "L" BRACKETS
- (4) 1-1/2" x 1/4-20 BOLTS
- (4) 1-3/4" x 1/4-20 BOLTS
- (2) 3" x 1/4-20 BOLTS
- (2) 3" x 1/4-20 CARRIAGE BOLTS
- (6) 3-1/2" x 1/4-20 BOLTS
- (4) 4" x 1/4-20 BOLTS
- (26) 1/4-20 NUTS
- (38) FLAT WASHERS

*NOTE: Some hardware is specific for certain seat kits. You may find extra hardware remaining after your installation.*

*PLEASE CONTACT SUPPLIER IF ANY HARDWARE IS MISSING.*



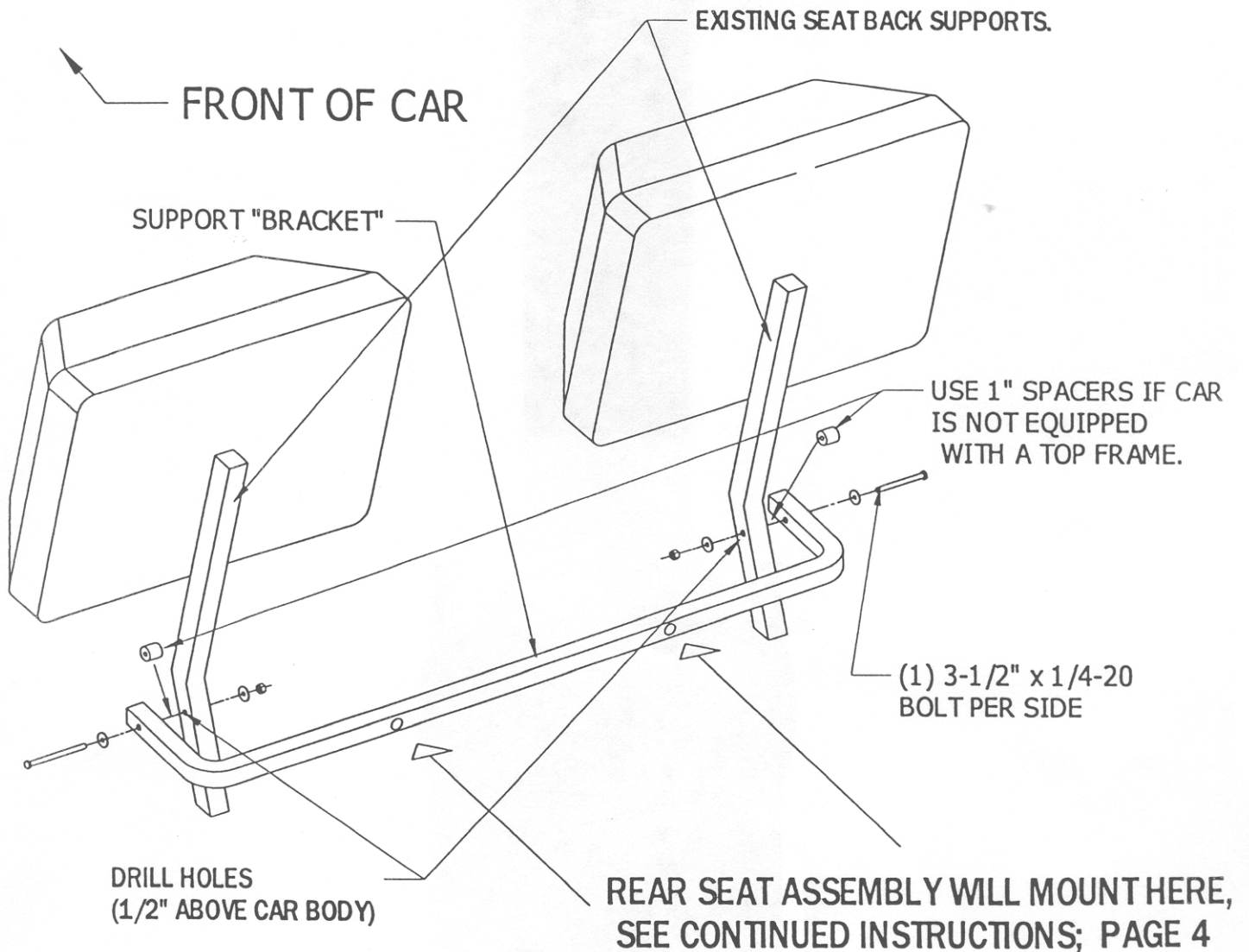
*TOOLS REQUIRED:*

- 17/64" DRILL BIT/DRILL
- 7/16" SOCKET
- 7/16" WRENCH

# STEP 1: MOUNT FRONT SUPPORTS

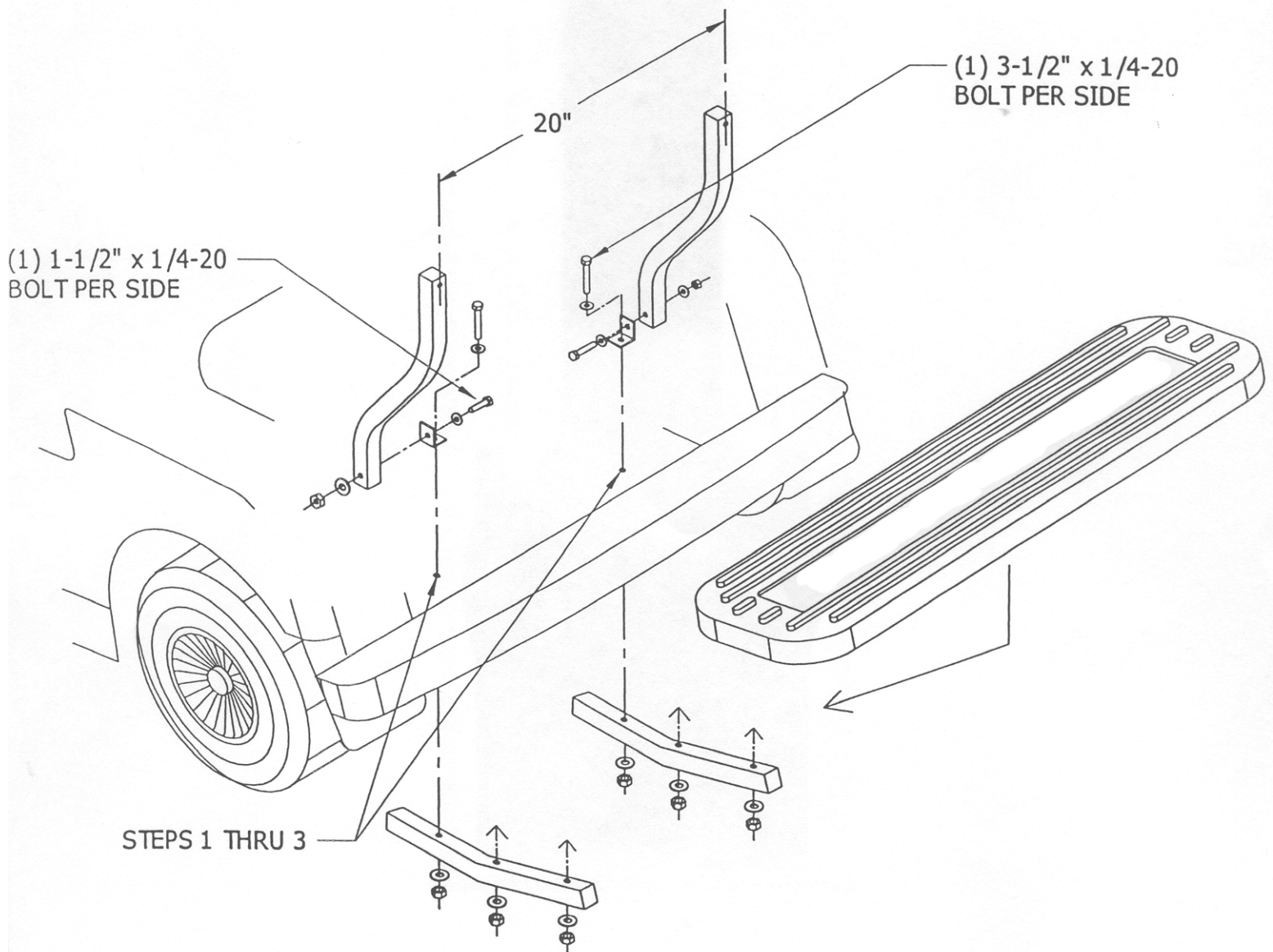
FOLLOW SEQUENCE BELOW; *FINGER TIGHTEN ONLY UNTIL UNIT IS FULLY ASSEMBLED.*

1. CUT OFF AND REMOVE BAG RACK TUBES.
2. DRILL HOLES AND ATTACH BRACKET TO SEAT BACK SUPPORTS AS SHOWN.  
NOTE: BRACKET MOUNTS TO OUTSIDE OF TOP FRAME UPRIGHTS OR;  
USE 1" SPACERS IF CAR IS NOT EQUIPED WITH A TOP FRAME.



FOLLOW SEQUENCE BELOW; *FINGER TIGHTEN ONLY UNTIL UNIT IS FULLY ASSEMBLED, THEN TIGHTEN COMPLETELY.*

- 1) MOUNT 1/8" "L" BRACKETS TO LOWER CENTER SUPPORT TUBES (FACING THEM INWARD).
- 2) NOTE: MAINTAIN 20" DIMENSION; HOLE CENTER TO HOLE CENTER, BEFORE DRILLING FLOOR!
- 3) DRILL THROUGH FLOOR AT 1/8" "L" BRACKETS; (MARK FLOOR FIRST AND MOVE COMPONENTS OUT OF THE WAY IF NEEDED).
- 4) BOLT FOOTREST MOUNTING TUBES TO BOTTOM OF FOOTREST.
- 5) MOUNT FOOTREST ASSEMBLY BENEATH BAGWELL WHEN BOLTING DOWN CENTER SUPPORTS AT "L" BRACKETS ON CENTER TUBES THROUGH NEW HOLES IN BAGWELL FLOOR.



FOLLOW SEQUENCE BELOW; *FINGER TIGHTEN ONLY UNTIL UNIT IS FULLY ASSEMBLED, THEN TIGHTEN COMPLETELY.*

- 7) ATTACH SEAT BACK CUSHIONS TO SEAT ASSEMBLY. MOUNT SEAT ASSEMBLY ONTO CAR AS SHOWN. NOTE: CROSS BRACE IS ALSO REQUIRED WHEN INSTALLING "3-IN-1" COMBO SEAT KITS.
- 8) MOUNT SIDE TUBES INTO SEAT ASSEMBLY AND ONTO THE STEP. USE SPACERS WITH "COMBO" KITS.
- 9) MOUNT OPTIONAL CENTER HANDLE, (REQUIRED WITH "2 IN 1" AND "3 IN 1" COMBO KITS. IF HANDLE IS NOT USED, IT IS RECOMENDED TO CUT OFF EXTENDED STUDS BELOW STEP.

